

MODEL 182

Steel Control Damper • 4" Deep • Straight Blades • Parallel or Opposed • With or Without Seals

Standard Materials and Construction

- FRAME:** 18 GA. stainless steel hat-shaped channel for greater rigidity and strength. 4" deep.
- BLADE:** 18 GA. stainless steel. Maximum 6" spacing.
- LINKAGE:** 1/8" thick (nominal) stainless steel chevron type formed bracket.
- BEARINGS:** Press fit stainless steel, flanged sleeve type.
- AXLES:** 1/2" dia. stainless steel.
- DRIVESHAFT:** 1/2" dia. stainless steel. Extendable 6" beyond frame.
- SEALS:** Optional. Read Options - Seals for details.
- ALLOY:** Type 304 (2B Finish) standard. See Options - Other Alloy for more details
- FINISH:** Mill.

Options

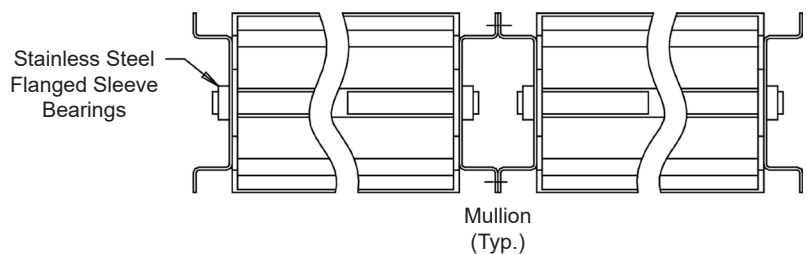
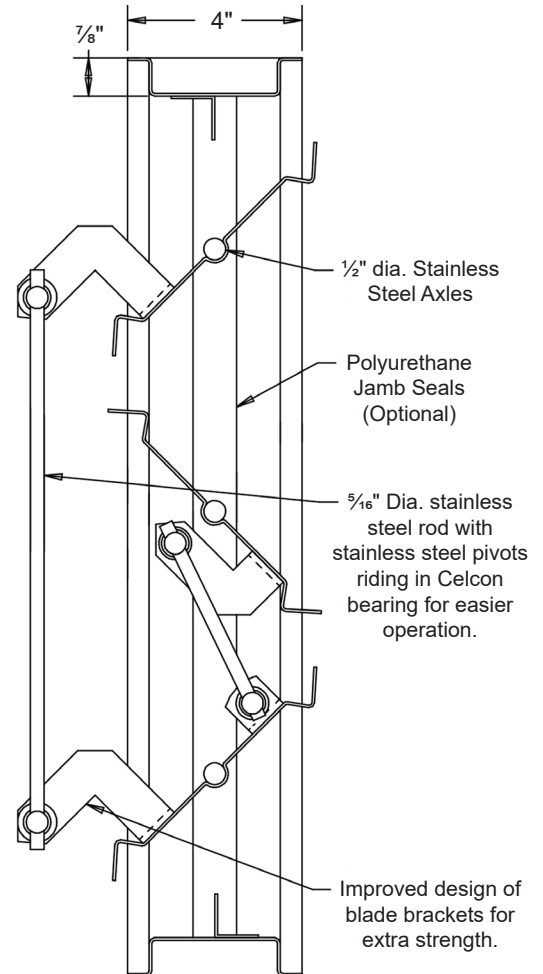
- Drive Shafts - Extendable to 8" beyond frame, more than 8" using exterior bearing support
- Seals - Available with neoprene jamb and blade edge seals, or stainless steel jamb seals, or polyurethane jamb and blade seals.
- Uni-Mount Brackets - For all internally mounted pneumatic or electric operators, galvanized steel construction. Specify type and N.O. or N.C.
- Bearings - Bronze, Nylon, Celcon, Ball, etc.
- Jackshaftering - Carbon steel (painted) is standard. Stainless steel is available.
- Other Alloy - Type 316 stainless steel, 2B finish.
- Wider Frame - Frames wider than 4".
- Flanged Frame
- Mixing/Face & Bypass Dampers

Notes

1. 1/4" nominal deduction will be made to the opening size given.
2. Dampers less than 11 3/4" high will have a single blade.
3. Shipping weight is approximately 6.5 lbs./sq.ft.

Damper Sizes

Panels	Min Panel	Max Single Panel
Parallel Blade	6"W x 8 3/4"H	48"W x 96"H
Opposed Blade	6"W x 8 3/4"H	48"W x 96"H



Item #	Qty	Width	Height	Parallel Blades	Opposed Blades	Seals	Actuator Model	Interior	Exterior	N.C.	N.O.	Union Made
								Act. Location		Function		
Arch. / Eng.:						EDR:		ECN:		Job:		
Contractor:												
Project:						Date:		DWN:		DWG:		

